



## 9892 Shift Servo Installation Instructions

Covers Part #9892

### Kit Contents:

- Shift servo
- Shift servo horn
- Shift servo torsion spring

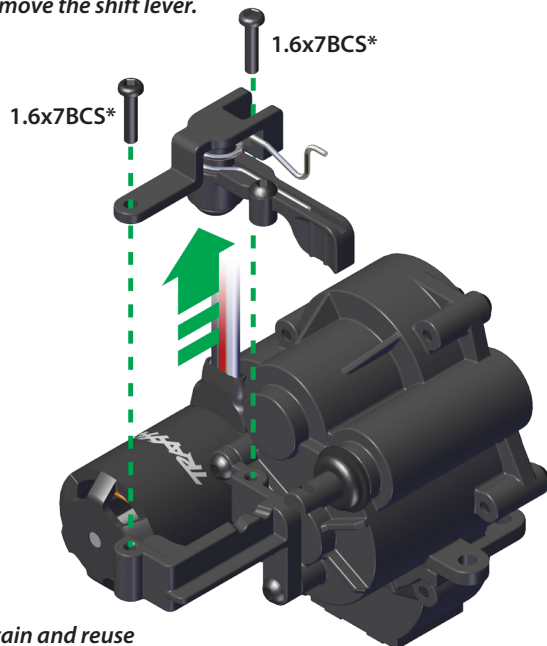
### Tools needed:

- 1.5mm hex wrench

### Required components (not included):

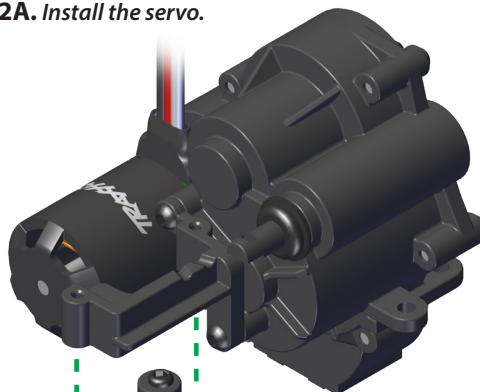
- TRX-4M® Brushless Power System (#6250)
- 3-Channel Transmitter (#6517 TQ or #6529 TQi)

### 1. Remove the shift lever.

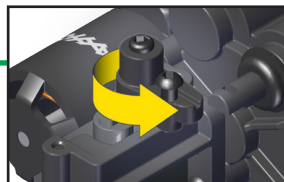


\*Retain and reuse

### 2A. Install the servo.



### 2B. Carefully turn the servo horn towards the shift fork.

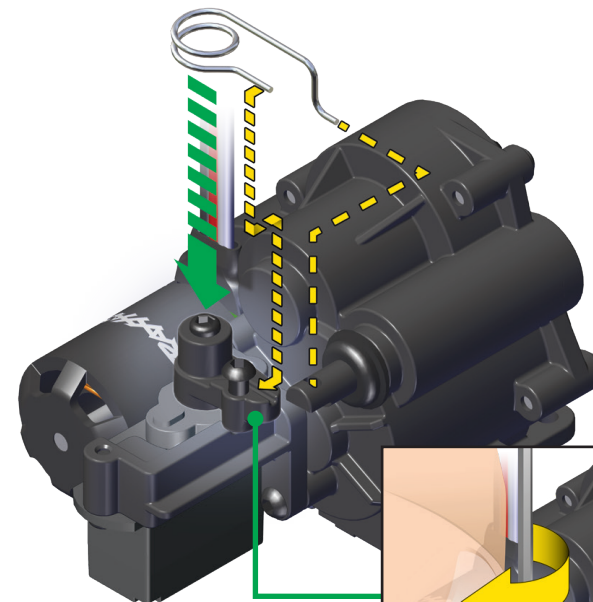


Note: Do not backdrive the servo horn while connected to power. This will damage the internal motor and gear assembly.

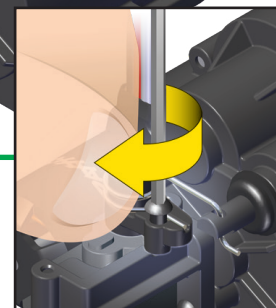
1.6x7 BCS

1.6x7 BCS

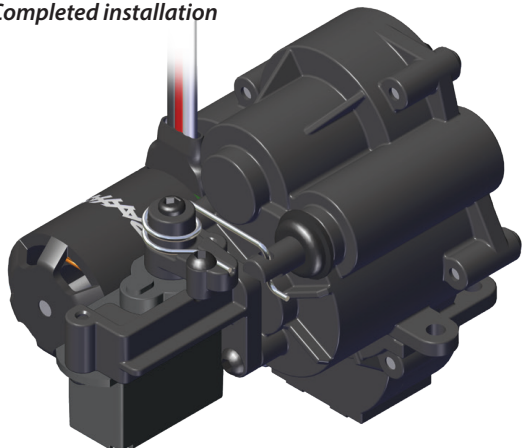
### 3A. Insert the spring into the shift fork and install onto the servo horn.



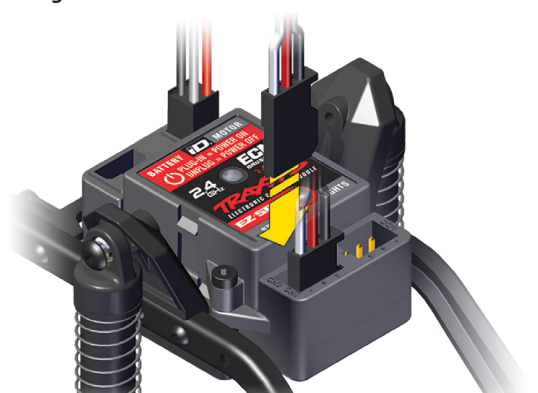
3B. Hold the servo horn while installing the screw that clamps the spring to prevent it from turning.



### 4. Completed installation



### 5. Plug servo into CH3 of the ECM Brushless.



### Servo Operation



High Gear



Low Gear

If you have questions or need technical assistance, call Traxxas at

# 1-888-TRAXXAS

(1-888-872-9927) (U.S. residents only)